

# The MP15 Automatic Motor Protector for single & three phase motors

interactive  
animation @  
mp15.info

*Superior Protection for all kinds and sizes of single & three phase motors*

The MP15 is a fully automatic solid state motor protector with adjustable start delay, anti short cycle timer and fault memory. It is suitable for all sizes and types of single and 3 phase motors. Models for 2010 include new improved phase detection electronics and precision for greater all round motor protection in all supply situations.

The MP15 protects against these common causes of motor failure:

- Voltage imbalances of more than 25% between phases (adjustable).
- Blown fuses causing single phasing.
- Chattering or poor making motor starting contacts.
- Faulty 415V isolating switch-gear
- Loose or poor connections simulating a phase loss.
- Overloading. Motor starters which automatically reset can cause windings failure. The MP15's automatic 15 minute restart delay allows the motor to cool and prevent winding overloads and damage.
- Under voltage. If the voltage drops to ~180 VAC on supply phase, the MP15 automatically trips and initiates a 15 minute off time delay.



- Power failure\tripping caused by multiple motors starting together. The MP15 adjustable start delay limits startup currents.
- Auto Restart: the MP15 automatically restarts after all faults allowing unattended operation.



**Green:** motor is running

**Green/Amber:** motor running but prior fault

**Red:** Motor not running, either start delay or three phase supply problem.

**Red/Amber:** Motor not running, fault memory



The improved electronics feature individual phase sensing and supply monitoring for greater protection and detection. Also new: an internal voltage sensitivity adjustment pot. For convenience, both plug in MP15 *above* and MP15D *left* are shipped as three phase types, but can be converted to single phase. MP15's also include a 5A replaceable control fuse.

Go Live! See the MP15 in operation, visit [mp15.info](http://mp15.info) and click on the animation link for a virtual and interactive display of the mp15 in action. It's both educational and fun.

PHASEFALE

CONTROL

MONITOR

PROTECT



# So, if it's protection you need, call the MP15 family....

The adjustable start delay of the MP15 is ideal for stage starting of multiple three phase motors on a common supply and saves additional timers, wiring and complexity.

The MP15 has been delivering reliable service in Australia since 1970 and offers either an 8 pin mounting base type allowing plug in change-over or the compact DIN rail mounting version with a standard circuit breaker profile.

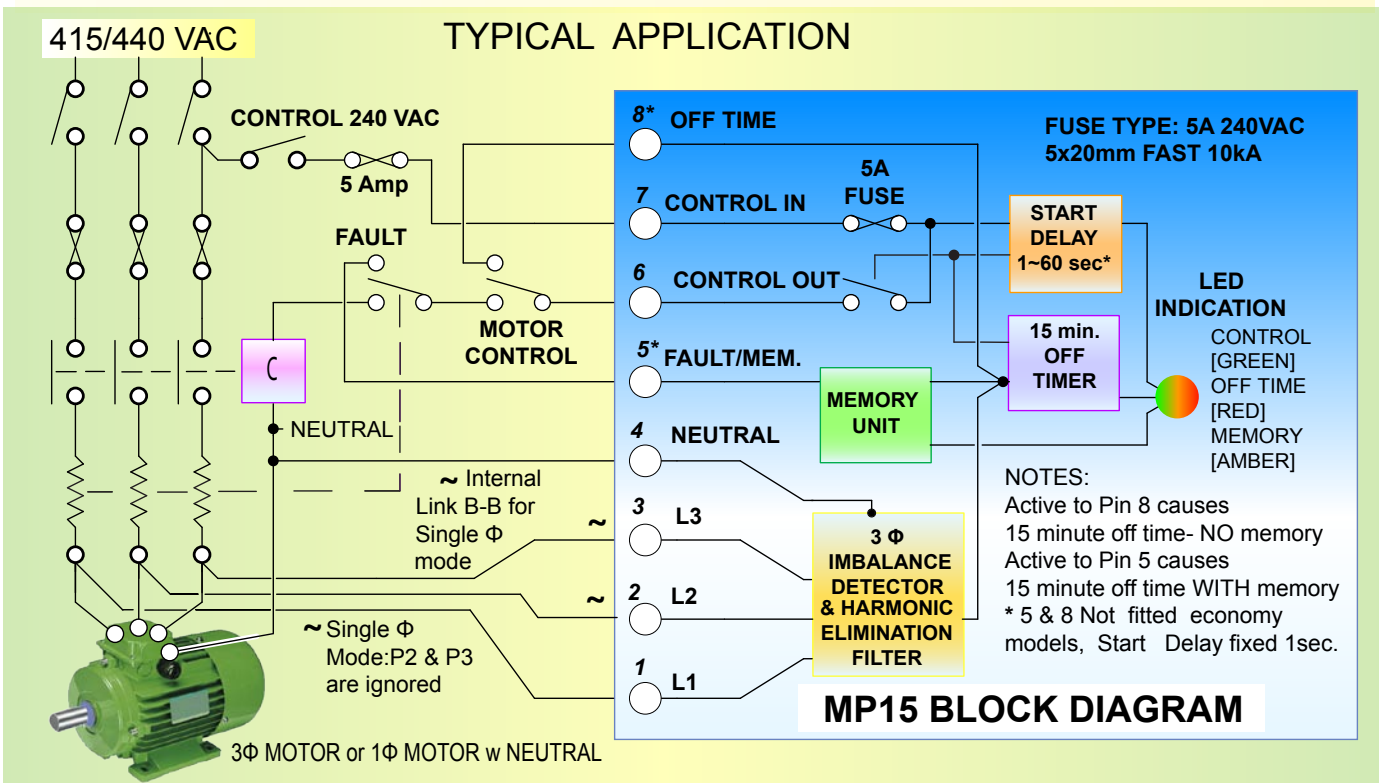
Economy versions of the MP15 achieve cost savings by the omission of fault and memory inputs and have a fixed 1 second start delay.

New for 2010 the **unique** individual phase monitoring circuitry is far superior to the standard phase summation technique, which treats harmonics and phase distortion as a phase imbalance. New MP15s avoid this compromise between sensitivity to imbalance and phase distortion which in certain supply situations can leave your motor either unprotected or tripping continuously!



Economy MP15's; high protection at a reduced price.

The DIN mount 8 pin base used with the MP15 allows plug in flexibility



MP15 Model Selection Table \*All models 3 $\Phi$  or 1 $\Phi$

Model	Mounting	Description
MP15	Octal Base	MP15 with Fault memory and adjustable start delay
MP15D	DIN Rail	DIN mount MP15 with Fault memory and adjustable start delay
MP15/E	Octal Base	Economy MP15 with fixed 1 second start delay
MP15DE	DIN Rail	Economy DIN mount MP15 with fixed 1 second start delay

\* models shipped 3 phase. Factory or user conversion to single phase mode with internal jumper link fitted across B-B

## MP15 Animation Page- press Start Button

# PHASEFALE

Control, Monitor, Protect

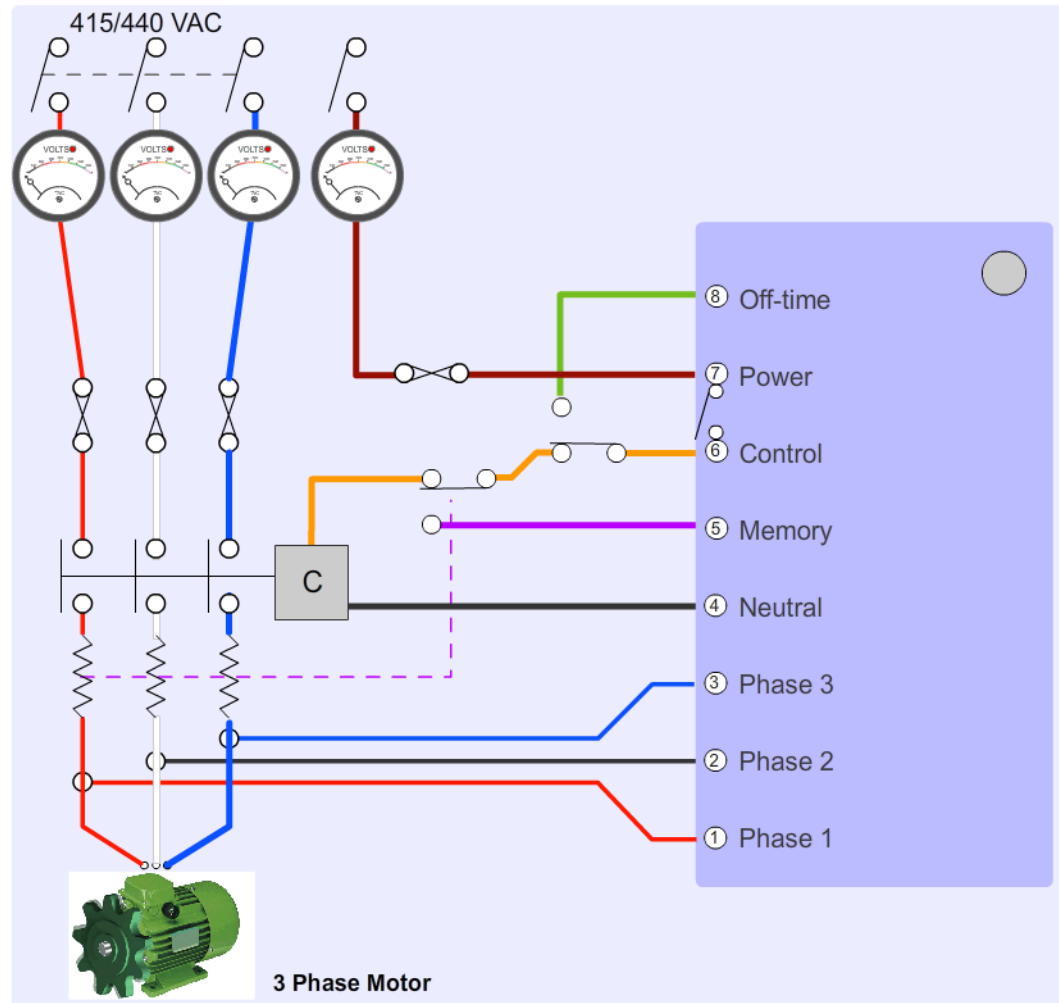


www.phasefale.com.au

Language: English / 中文

### MP15 - Protection Animation

Control interface with several buttons: a blue button, a grey button, a red button, and three white buttons.



The MP15's is suitable for all sizes of three phase motors and therefore has many applications.

Three phase motors can fail due to electrical supply problems including loss of phase, low supply voltage, intermittent supply or damaged control contacts. All too commonly the loss of a phase is beyond your control and occurs at a critical time. The consequence is a burnt out motor which at least requires re-winding, but the cost of a failure can be much more including the cost to remove & re-install the motor for repair and possible loss of stock and profits.

Because the MP15 operation is fully automatic, it is ideal for all applications where unattended operation is vital, yet protection is essential.